

## CONNECTION

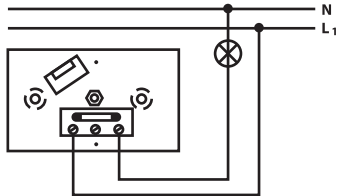
1. Turn off the power supply.
2. Pull out the central button.
3. Remove the inner tile by gently squeezing in the gap between itself and the plastic frame at the side wings level.
4. Unscrew the two holding screws of the plastic front frame.
5. Unscrew the two screws at the right and left side of the metal plaque, to release the dimmer from the plastic cube.
6. Connect the cables as shown at the connecting graphics below.
7. Reversing the instructions above, screw back the plastic cube the plastic frame and put back the central button.

### Do not use this dimmer for CFL lamps

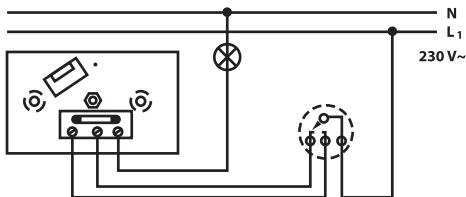
After safely connecting, turn on the power supply, turn the main button all the way to the left at the minimum point and by inserting a tester screwdriver into the hole above the main switch, adjust the lower step of brightness according to the lamp type and/or your desire.

TECHNICAL DETAILS (For LED lamps exclusively)	
SUPPLY VOLTAGE	230V
LOAD POWER	0 - 1000W LED
FUSE	5A / 250V
SWITCH	PUSH - PUSH

Magic Electronic reserves all rights to modify any technical details to ameliorate the dimmer



(Graphic 1) NORMAL SWITCH

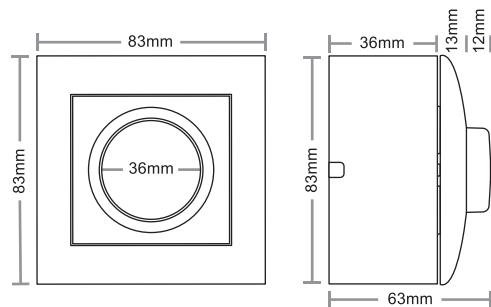
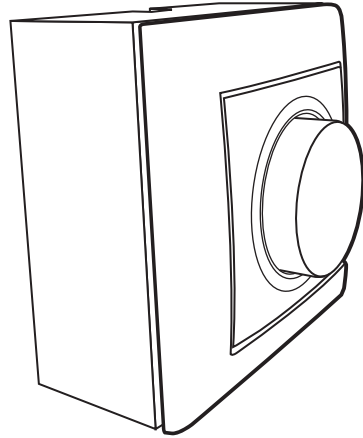


(Graphic 2) ALLER RETOUR SWITCH



**MAGIC**  
ELECTRONIC

**ARMON CUBIC**  
**DIMMER LED 1000W MULTI**  
(ON WALL)



Please use this model  
**EXCLUSIVELY FOR LED LAMPS**  
Do not mix different manufacturer's lamps  
or types and models

## FUSE REPLACEMENT

**ATTENTION!** To replace the fuse as well as for any intervention you must **turn off the power supply.**

**SOLOMON**

Distributed by Solomon Group S.A.  
www.solomongroup.gr



MADE IN GREECE