

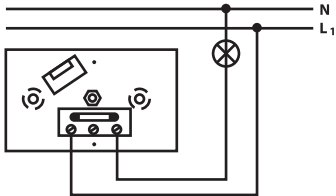
## CONNECTION

1. Turn off the power supply.
2. Pull out the central button.
3. Remove the inner tile by unscrewing the nut (counterclockwise)
4. Unscrew the two holding screws of the plastic front frame.
5. Unscrew the two screws at the right and left side of the metal plaque, to release the dimmer from the plastic cube.
6. Connect the cables as shown at the connecting graphics below.
7. Reversing the instructions above, screw back the plastic cube the plastic frame and put back the central button.

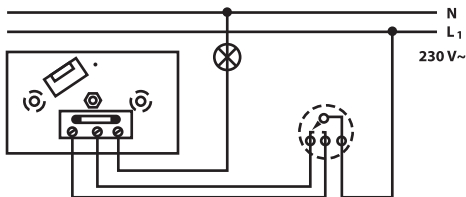
After safely connecting, turn on the power supply, turn the main button all the way to the left at the minimum point and by inserting a tester screwdriver into the hole above the main switch, adjust the lower step of brightness according to the lamp type and/or your desire.

TECHNICAL DETAILS (For LED lamps exclusively)	
SUPPLY VOLTAGE	<b>230V</b>
LOAD POWER	<b>0 - 200W LED</b>
FUSE	<b>1A / 250V</b>
SWITCH	<b>PUSH - PUSH</b>

Magic Electronic reserves all rights to modify any technical details to ameliorate the dimmer



(Graphic 1) NORMAL SWITCH

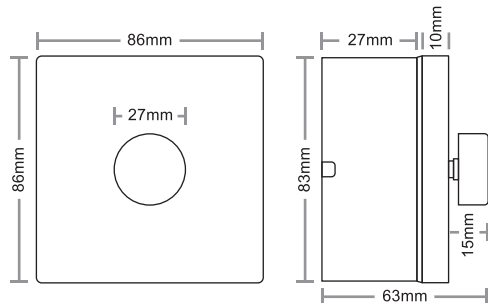
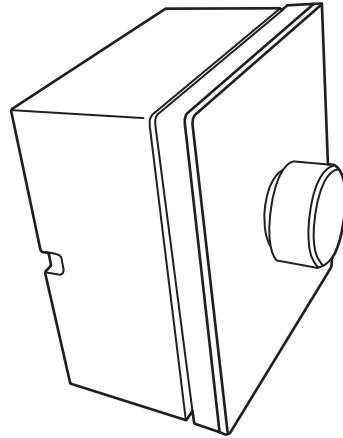


(Graphic 2) ALLER RETOUR SWITCH



**MAGIC**  
ELECTRONIC

**SYMET CUBIC**  
**DIMMER LED 200W**  
(ON WALL)



Please use this model  
**EXCLUSIVELY FOR LED LAMPS**  
Do not mix different manufacturer's lamps  
or types and models

## FUSE REPLACEMENT

**ATTENTION!** To replace the fuse as well as for any intervention you must **turn off the power supply**.

**SOLOMON**

Distributed by Solomon Group S.A.  
www.solomongroup.gr



MADE IN GREECE